

UNIVERSAL



18-5307
CONTACT SET



18-5310
CONTACT SET



18-5311
CONTACT SET



18-5345
CONDENSER



18-5347
CONDENSER



18-5268
TUNE-UP KIT



18-5354
DISTRIBUTOR CAP



18-5359
DISTRIBUTOR CAP



18-5385
DISTRIBUTOR CAP



18-5418
ROTOR



18-5427
ROTOR



18-5419
ROTOR



18-5430
ROTOR



Display Package

18-5433
IGNITION COIL
Requires external resistor
For: Atomic Four w/resistor (1969-70),
Super Sabre (1948-70)



18-28100
COIL LEAD
12" long w/90 degree male Dist end
and 90 degree female coil end



18-28101
COIL LEAD
12" long w/90 degree female Dist end
and 90 degree female coil end



18-28102
COIL LEAD
12" long w/90 degree male Dist end
and 180 degree male coil end

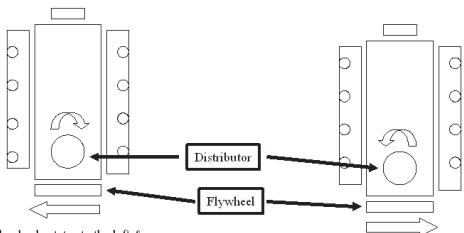
PARTS FOR CONTACT CONTROLLED DISTRIBUTORS

Year	Cyl.	Model / Engine	Distributor	Contact Set	Condenser	Cap	Tune-Up Kit	Rotor
1969-70	4	Atomic Four	DELCO	18-5311	18-5345	18-5385	18-5268	18-5418
1961-70	4	Unimate Four, HF (Herc. IXB), LSG Super Four, BFA, BN Utility Four, BR, FA, UJ Atomic Four, UJ64	IGW	—	—	18-5354	—	—
	6	Arrow, Bluefin, Economy, Bullet, Knight, Marlin, Tarpon	IGC-5501A	18-5307	18-5347①	—	—	18-5430
1954-68	6	Explorer Master, OK, OL, Z, Super Six	IAY-4009-1, IA	18-5307	—	—	—	18-5427
1963-65	6	Super Sabre	1110322	18-5310	—	—	—	18-5419
1945-60	4	HF, UJ, Atomic Four, BFA, BFS, BN, BR, EA, LSG, Racing 4, Super 4	IGW	—	—	18-5359	—	—
1955-57	6	HCS, LHS	IGW-6002B	18-5307	—	—	—	18-5430

① For lead type, use 18-5345

Standard Rotation

CCW Rotation



If flywheel rotates to the left & distributor rotor turns clockwise

If flywheel rotates to the right & distributor turns counter clockwise



18-6264
RELAY
Arco R036
32-36 Volt, 85 Amp
Used with many winch motors



18-6263
ALTERNATOR
Replaces: 288182, 288759
12 Volt, 51 Amp, Integral Regulator,
Negative Ground, Single Groove Pulley
For: Universal and others
(I/O)



18-6284
ALTERNATOR
Hitachi Marine, Arco 84135
12 Volt, 35 Amp, Integral Regulator,
Single Groove Pulley
Fits: Yanmar Diesel
(Inboard)




18-5804
SOLENOID



18-5840
SOLENOID

PARTS FOR CHARGING SYSTEMS				PARTS FOR STARTING SYSTEMS			
Year	Model	Volt	Alt. or Gen. No	Voltage Regulator	Volt	Starter No.	Starter Switch Kit
1961-68	Explorer, Master, Super Six	—	—	—	12	MAU-4046	18-5840
	Unimite Four, Atomic Four, Utility	12	ALE-5202	—	—	—	—
	Four, Blue Jacket Twin	12	ALE-5204S	18-5710	12	MAU-4006, 47	18-5840
		12	ALK-6204	—	12	MBG-4129, 31	18-5840
1955-68	Knight, Tarpon, Mariin, Bullet, Arrow, Bluefin	—	—	—	6	MAU-4046, 47	18-5840
1954-68	OK, OL, Z Superb, Z Series	—	—	—	6	MAU-4046, 47	18-5840
1961-64	11694 Super Sabre V-6	12	1100619, 54	—	12	1107260	18-5804
1955-57	AMS, HCS, LHS	—	—	—	12	MAB-4116	18-5840



**18-7070
CARB KIT**
For: 198(3.3L), 225(3.7L) E, 6Cyl.
Carb Type and Model: R-2, 2GC
Carb No:7023081,7025181



**18-7071
CARB KIT**
For: 225(3.7L) Eng., 6Cyl.
Carb Type and Model: R-1, BC
Carb No:7024083

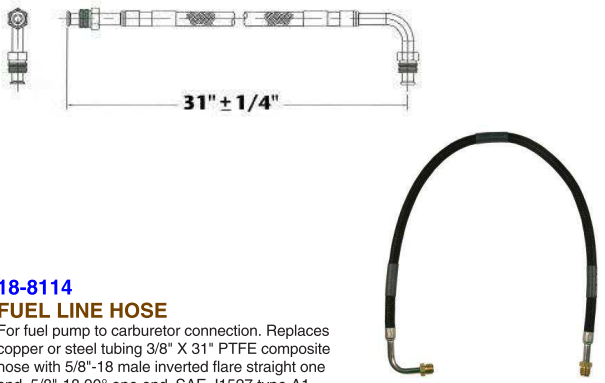
FUEL WATER SEPARATORS



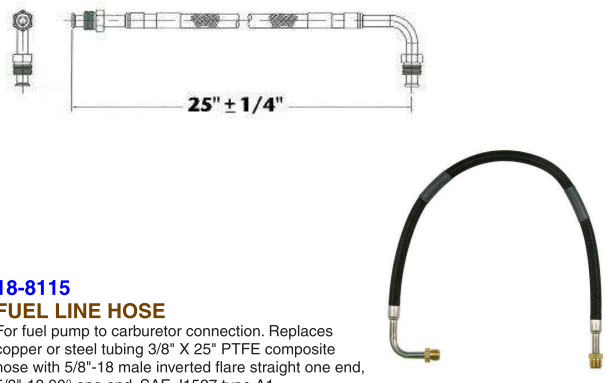
Sierra offers a complete line of 10 and 21 micron fuel water separating filters including drainable bowl filters to protect your carbureted and fuel injected engine.

Refer to pages 136-140 for a complete listing of OEM and universal applications.

Sierra fuel water separators remove over 99.8% of emulsified water from your gasoline. Sierra's 10 micron filters are over 90% efficient at removing particles as small as 10 micron. All filters flow @ 90 GPH to feed even the hungriest motor. Sierra 10 micron filters are recommended to prevent damage to sensitive inboard and outboard fuel injection systems.

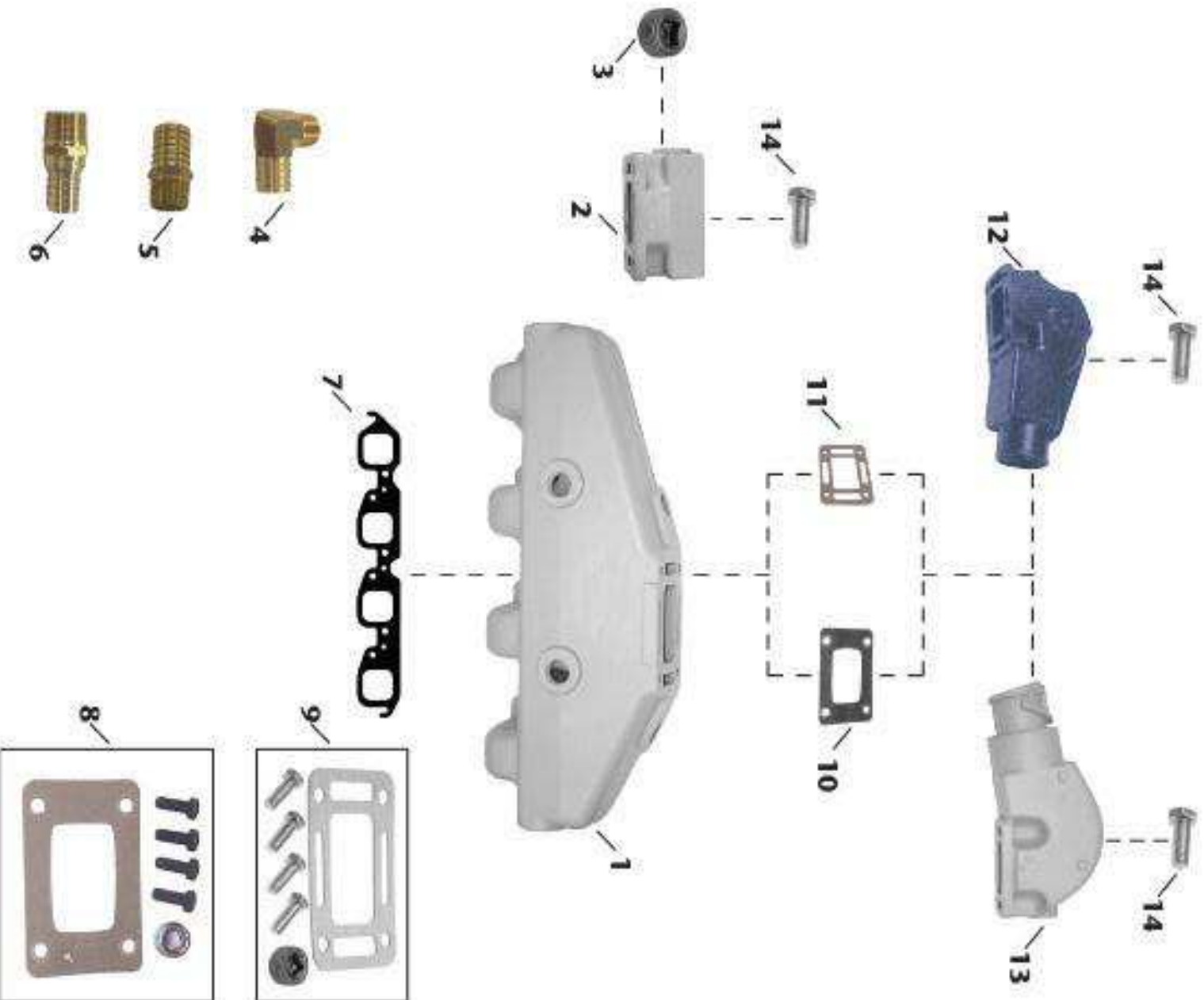


**18-8114
FUEL LINE HOSE**
For fuel pump to carburetor connection. Replaces copper or steel tubing 3/8" X 31" PTFE composite hose with 5/8"-18 male inverted flare straight one end, 5/8"-18 90° one end. SAE J1527 type A1



**18-8115
FUEL LINE HOSE**
For fuel pump to carburetor connection. Replaces copper or steel tubing 3/8" X 25" PTFE composite hose with 5/8"-18 male inverted flare straight one end, 5/8"-18 90° one end. SAE J1527 type A1

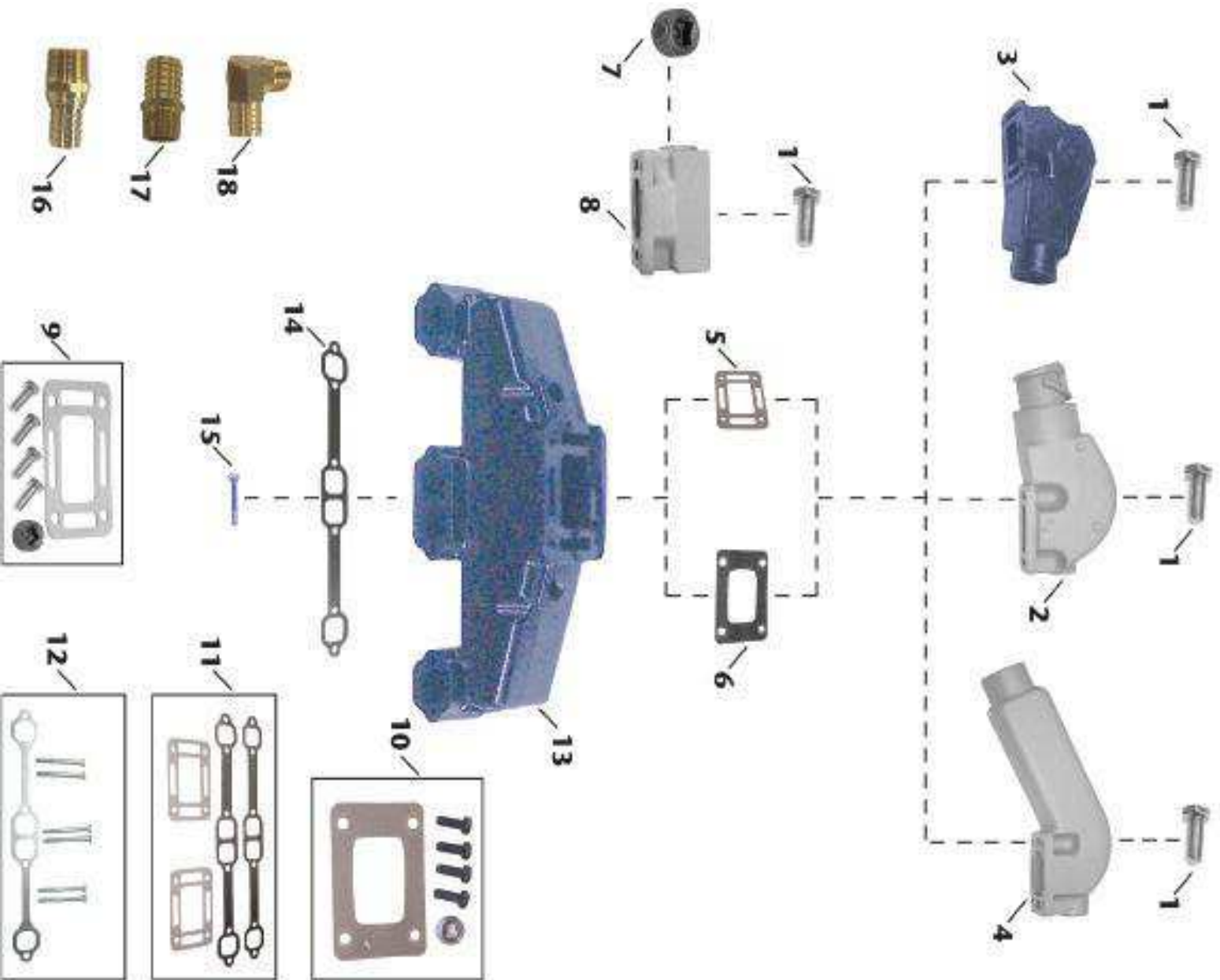
Fits GM 454/502 CID V8 Big Block



Item No.	Description	OE No.	Application
1	18-1898 MANIFOLD	BARR CHVA-1-84, MARINE POWER 0991-110	Fits 454/502 cu. in. GM Big Block V8 engines. Used with Manifold Gasket: 18-0418 .
2	18-1949 MANIFOLD SPACER	N/A	Use with Manifold: 18-1898 .
3	18-4258 BLACKSTEEL PLUG	N/A	Thread Size: 3/4". Use with Manifold Spacer: 18-1949 .
4	18-8216 HOSE FITTING	N/A	3/4" - 14NPT X 1" Hose (Corrosion Resistant Brass Fitting)
5	18-4461 HOSE FITTING	N/A	3/4" - 14NPT X 1" Hose (Corrosion Resistant Brass Fitting)
6	18-8215 HOSE FITTING	N/A	3/4" - 14NPT X 3/4" Hose (Corrosion Resistant Brass Fitting)
7	18-0418 MANIFOLD GASKET	CRUSADER 96653	Use with Manifold: 18-1898
8	18-8535 MOUNTING KIT (BLOCKED GASKET)	N/A	Use with Risers: 18-1939 , 18-1999 , 18-1907 . Includes 18-0476-1 elbow gasket. (Use with a closed cooling system)
9	18-4364 MOUNTING KIT (OPEN GASKET)	BARR 20-0082-P	Use with Risers: 18-1999 , 18-1907 , & 18-1939 . Includes 18-2854-1 elbow gasket.
10	18-0476-1 ELBOW GASKET (BLOCKED)	BARR 01-0105	Used with Risers: 18-1939 , 18-1999 . Included in 18-8535 mounting kit.
11	18-2854-1 3" ELBOW GASKET (OPEN)	BARR 01-0107	Used with Risers: 18-1939 , 18-1999 . Included in 18-4364 mounting kit.
12	18-1999 3 1/2" MANIFOLD ELBOW	BARR 20-0082	Comes with 18-4364 (open) mounting package. If blocked mounting kit is required use 18-8535 mounting kit. Use with Manifold: 18-1898 ; Riser Gasket: 18-2854-1 (open) or 18-0476-1 (blocked)
13	18-1939 3 1/2" MANIFOLD ELBOW	BARR 20-0100, MARINE POWER 0992-593	Use with Manifold: 18-1898 ; Riser Gasket: 18-2854-1 (open) or 18-0476-1 (blocked); Mount- ing Kit: 18-4364 (open) or 18-8535 (blocked)
14	NSS MOUNTING BOLT	N/A	Included in 18-4364 & 18-8535 mounting kits.



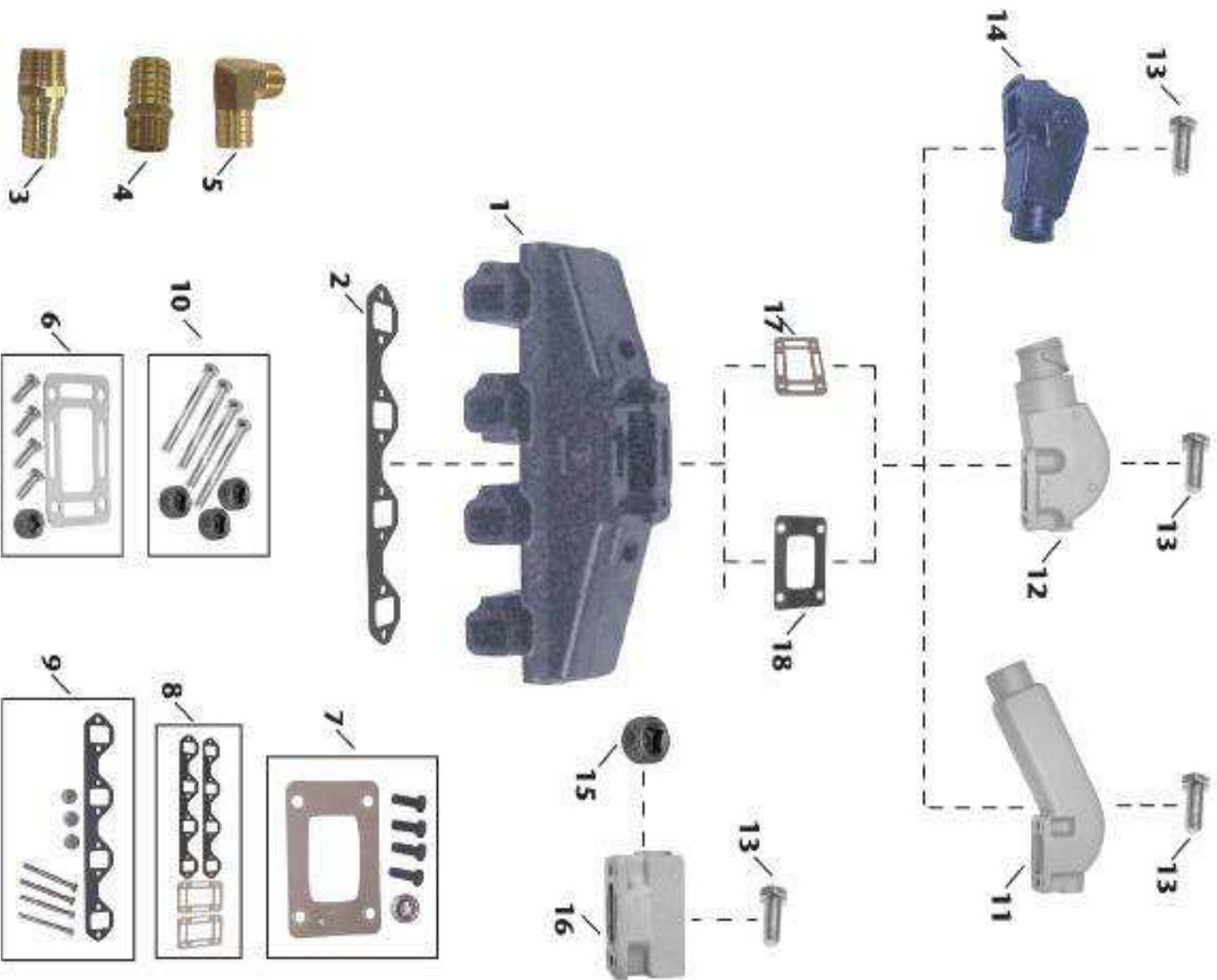
Fits GM 305/350 CID V8 Small Block



Item No.	Description	OE No.	Application
1	NSS MOUNTING BOLT	N/A	Included in 18-4364 & 18-8535 mounting kits.
2	18-1939 MANIFOLD ELBOW (3 1/2" hose, 7° down angle)	BARR 20-0100, MARINE POWER 0992-593	Use with Manifold: 18-1997-1 ; Riser Gasket: 18-2854-1 (open) or 18-0476-1 (blocked); Mounting Kit: 18-4364 (open) or 18-8535 (blocked)
3	18-1999 MANIFOLD ELBOW (3" hose, 15° down angle)	BARR 20-0082	Comes with 18-4364 (open) mounting package. If blocked mounting kit is required use 18-8535 mounting kit. Use with Manifolds: 18-1997-1 ; Riser Gasket: 18-2854-1 (open) or 18-0476-1 (blocked)
4	18-1907 MANIFOLD ELBOW (3" hose)	BARR 20-0100, INDMAR 53-2009, 53-2018	Use with Manifold: 18-1997-1 ; Riser Gasket: 18-2854-1 (open) or 18-0476-1 (blocked); Mounting Kit: 18-4364 (open) or 18-8535 (blocked)
5	18-2854-1 ELBOW GASKET (OPEN)	BARR 01-0107	Used with Risers: 18-1939 , 18-1999 , 18-1907 . Included in 18-4364 mounting kit.
6	18-0476-1 ELBOW GASKET (BLOCKED)	BARR 01-0105	Used with Risers: 18-1939 , 18-1999 , 18-1907 . Included in 18-8535 mounting kit.
7	18-4258 BLACKSTEEL PLUG	N/A	Thread Size: 3/4". Use with Manifold Spacer: 18-1949 .
8	18-1949 MANIFOLD SPACER	N/A	Use with Manifold: 18-1997-1 .
9	18-4364 MOUNTING KIT (OPEN GASKET)	BARR 20-0082-P	Use with Risers: 18-1999 , 18-1907 , & 18-1939 . Includes 18-2854-1 elbow gasket.
10	18-8535 MOUNTING KIT (BLOCKED GASKET)	N/A	Use with Risers: 18-1939 , 18-1999 , 18-1907 . Includes 18-0476-1 elbow gasket. (Use with a closed cooling system)
11	18-0604 EXHAUST MANIFOLD GASKET SET	N/A	GM 305-350 CID Engines; Use with Manifold: 18-1997-1
12	18-8536 MOUNTING KIT	N/A	Use with Manifold: 18-1997-1 . Includes 18-2949 mounting kit.
13	18-1997-1 or 18-1964 MANIFOLD	BARR CHV-1-83	GM Small Block (V8) 305-350 cu.in. Use with Manifold Gasket 18-2949 . Mounting Kit: 18-8536 .
14	18-2949 MANIFOLD GASKET	BARR CHV-47-000	Use with Manifold: 18-1997-1 . Included in 18-8536 mounting kit.
15	NSS MOUNTING BOLT	N/A	Included in 18-8536 mounting kit.
16	18-8215 HOSE FITTING	N/A	3/4" - 14NPT X 3/4" Hose (Corrosion Resistant Brass Fitting)
17	18-4461 HOSE FITTING	N/A	3/4" - 14NPT X 1" Hose (Corrosion Resistant Brass Fitting)
18	18-8216 HOSE FITTING	N/A	3/4" - 14NPT X 1" Hose (Corrosion Resistant Brass Fitting)



**Fits Ford 5.0L/5.8L
302/351 CID V8**



Item No.	Description	OE No.	Application
1	18-1998-1 MANIFOLD	BARR FM-1-83	Ford 302-351 (V8) CID Engines. Use with Manifold Gasket: 18-0183-1 ; Mounting Kit: 18-8538
2	18-0183-1 MANIFOLD GASKET	PLEASURECRAFT RM0007	Use with Manifold: 18-1998-1 . Included in 18-8538 mounting kit.
3	18-8216 HOSE FITTING	N/A	3/4" - 14NPT X 1" Hose (Corrosion Resistant Brass Fitting)
4	18-4461 HOSE FITTING	N/A	3/4" - 14NPT X 1" Hose (Corrosion Resistant Brass Fitting)
5	18-8215 HOSE FITTING	N/A	3/4" - 14NPT X 3/4" Hose (Corrosion Resistant Brass Fitting)
6	18-4364 MOUNTING KIT (OPEN GASKET)	BARR 20-0082-P	Use with Risers: 18-1999 , 18-1907 , & 18-1939 . Includes 18-2854-1 elbow gasket.
7	18-8535 MOUNTING KIT (BLOCKED GASKET)	N/A	Use with Risers: 18-1939 , 18-1999 , 18-1907 . Includes 18-0476-1 elbow gasket. (Use with a closed cooling system)
8	18-0603 EXHAUST MANIFOLD GASKET SET	N/A	Ford 302-351 CID Engines; Use with Manifold: 18-1998-1 .
9	18-8538 MOUNTING KIT	N/A	Use with Manifold: 18-1998-1 . Includes 18-0183-1 manifold gasket.
10	18-4363 HARDWARE KIT	BARR FM-1-83-P	Hardware Only for Manifold: 18-1998-1
11	18-1907 ELBOW (3" hose)	BARR 20-0100, INDMAR 53-2009, 53-2018	Use with Manifold: 18-1998-1 ; Riser Gasket: 18-2854-1 (open) or 18-0476-1 (blocked); Mounting Kit: 18-4364 (open) or 18-8535 (blocked)
12	18-1939 ELBOW (7° down angle, 3 1/2" hose)	BARR 20-0100, MARINE POWER 0992-593	Use with Manifold: 18-1998-1 ; Riser Gasket: 18-2854-1 (open) or 18-0476-1 (blocked); Mounting Kit: 18-4364 (open) or 18-8535 (blocked)
13	NSS MOUNTING BOLT	N/A	Included in 18-4364 & 18-8535 mounting kits.
14	18-1999 MANIFOLD ELBOW (15° down angle, 3" hose)	BARR 20-0082	Comes with 18-4364 (open) mounting package. If blocked mounting kit is required use 18-8535 mounting kit. Use with Manifold: 18-1998-1 ; Riser Gasket: 18-2854-1 (open) or 18-0476-1 (blocked)
15	18-4258 BLACKSTEEL PLUG	N/A	Thread Size: 3/4". Use with Manifold Spacer: 18-1949
16	18-1949 MANIFOLD SPACER	N/A	Use with Manifold: 18-1998-1
17	18-2854-1 ELBOW GASKET (OPEN)	BARR 01-0107	Used with Risers: 18-1939 , 18-1999 , 18-1907 . Included in 18-4364 mounting kit.
18	18-0476-1 ELBOW GASKET (BLOCKED)	BARR	Used with Risers: 18-1939 , 18-1999 , 18-1907 . Included in 18-8535 mounting kit.



**MOST MANIFOLDS
ARE PAINTED, PACKAGED & LEAK TESTED**



**18-1998-1
MANIFOLD**

Port & Starboard

Replaces: Barr FM-1-83

Universal Center Riser Manifold

FITS: Ford 302 and 351 CID engines

Comes with **18-4363 Mounting Package** - **Replaces:** Barr FM 1-83-P

Use with:

Exhaust Manifold Gasket Set: **18-0603**



**18-1997-1
MANIFOLD**

Port & Starboard

Replaces: Barr CHV-1-83

Universal Center Riser Manifold

FITS: GM 283, 305, 307 and 350 CID engines

Use with:

Exhaust Manifold Gasket Set: **18-0604**



**18-1999
ELBOW (3" HOSE)**

Replaces: Barr 20-0082

Comes with **18-4364 open Mounting Package**

Use with:

Manifold: **18-1997-1** or **18-1998-1** or **18-1898**

Riser Gasket: **18-2854-1** open or **18-0476-1** blocked

Mounting Kit: **18-4364** open or **18-8535** blocked



**18-1898
MANIFOLD**

Port & Starboard

Replaces: Barr CHVA-1-84, Marine Power 0991-110

FITS: 454 cu.in. GM big block V8 engines

Use with:

Exhaust Gasket: **18-0418**

Riser Gasket: **18-2854-1** open or **18-0476-1** blocked



**18-1907
RISER (3" HOSE)**

Replaces: Barr 20-0100, Indmar 53-2009, 53-2018

Barr and Indmar Ford Small Block V8 302-351cu.in.

Use with:

Manifolds: **18-1997-1** or **18-1998-1**

Riser Gasket: **18-2854-1** open or **18-0476-1** blocked

Mounting Kit: **18-4364** open or **18-8535** blocked



**18-1939
RISER (3 1/2" HOSE)**

Replaces: Barr 20-0100, Marine Power 0992-593

Barr, Indmar and Marine Power Ford Small Block V8 302-351cu. in. GM

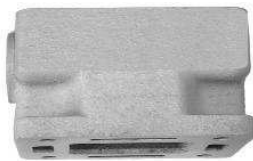
Small Block V8 305-350cu. in., GM Big Block V8 454cu. in.

Use with:

Manifold: **18-1997-1, 18-1998-1**

Riser Gasket: **18-2854-1** open or **18-0476-1** blocked

Mounting Kit: **18-4364** open or **18-8535** blocked



**18-1949
MANIFOLD SPACER (3")**

Barr CM 20-0097

Barr, Indmar and Marine Power Ford Small Block V8

302-351cu.in., GM Small Block V8 305-350cu.in.,

GM Big Block V8 454cu.in.

Used with:

Manifolds: **18-1998-1, 18-1997-1** and

18-1898

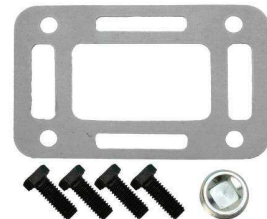


**18-4363
EXHAUST ELBOW KIT**

Replaces: Barr FM-1-83-P

Use with:

Manifold: **18-1998-1**















**18-4364 (Open)
EXHAUST ELBOW KIT**

Replaces:

Barr 20-0082-P

Use with:

Riser: **18-1999, 18-1907, 18-1939**

 <p>18-8535 (Blocked) EXHAUST MANIFOLD MOUNTING KIT Barr, Indmar and Marine Power Ford Small Block V8 302-351cu.in., GM Small Block V8 305-350cu.in., GM Big Block V8 454cu.in. Used with: Risers: 18-1939, 18-1999, and 18-1907</p>	 <p>18-8536 EXHAUST ELBOW MOUNTING KIT Barr, Indmar and Marine Power GM Small Block V8 305-350cu.in. Used with: Manifold: 18-1997-1</p>	 <p>18-8538 EXHAUST MANIFOLD MOUNTING KIT Barr and Indmar Ford Small Block V8 302-351cu.in. Used with: Manifold: 18-1998-1</p>
 <p>18-0603 EXHAUST MANIFOLD GASKET SET For: Ford 302/351 CID Engines For use with 18-1998-1</p>	 <p>18-0604 EXHAUST MANIFOLD GASKET SET For: GM 305/350 CID Engines For use with 18-1997-1</p>	 <p>18-0183-1 EXHAUST MANIFOLD GASKET Replaces: Mercruiser 27-73866, 27-54566 Volvo 3853742, 3852455 OMC 908717 Used with: Manifold: 18-1962-1, 18-1938, 18-1998-1, 18-1996, 18-1979</p>
 <p>18-0418 EXHAUST MANIFOLD GASKET Replaces: Mercruiser 27-46820 Use with: Manifolds: 18-1957-2, 18-1982, 18-1929, 18-1933, 18-1898</p>	 <p>18-0476-1 RISER BLOCKOFF GASKET Replaces: Barr 01-0105 Indmar & Marine Power Ford Small Block V8 302-351cu.in. Used with: Risers: 18-1939, 18-1999, 18-1907</p>	<p>PKG. OF 2</p>  <p>18-2854-1 (Open) 18-2854-9^① EXHAUST ELBOW GASKET Replaces: Barr 01-0107 Use with: Riser: 18-1999, 18-1939, 18-1907</p>
<p>PKG. OF 2</p>  <p>18-2949 18-2949-9^① EXHAUST MANIFOLD GASKET Replaces: Barr CHV-47-000 Use with: Manifold: 18-1997-1</p>	 <p>18-4461 HOSE BARB Replaces: Mercruiser 22-807155 3/4" - 14 NPT x 1" Hose Corrosion Resistant Brass Fitting</p>	 <p>18-4258 PIPE PLUG Replaces: Mercruiser 22-33198, 22-33198A1, 22-41622, 22-46754 3/4" Thread size Blacksteel</p>

① Priced per Package